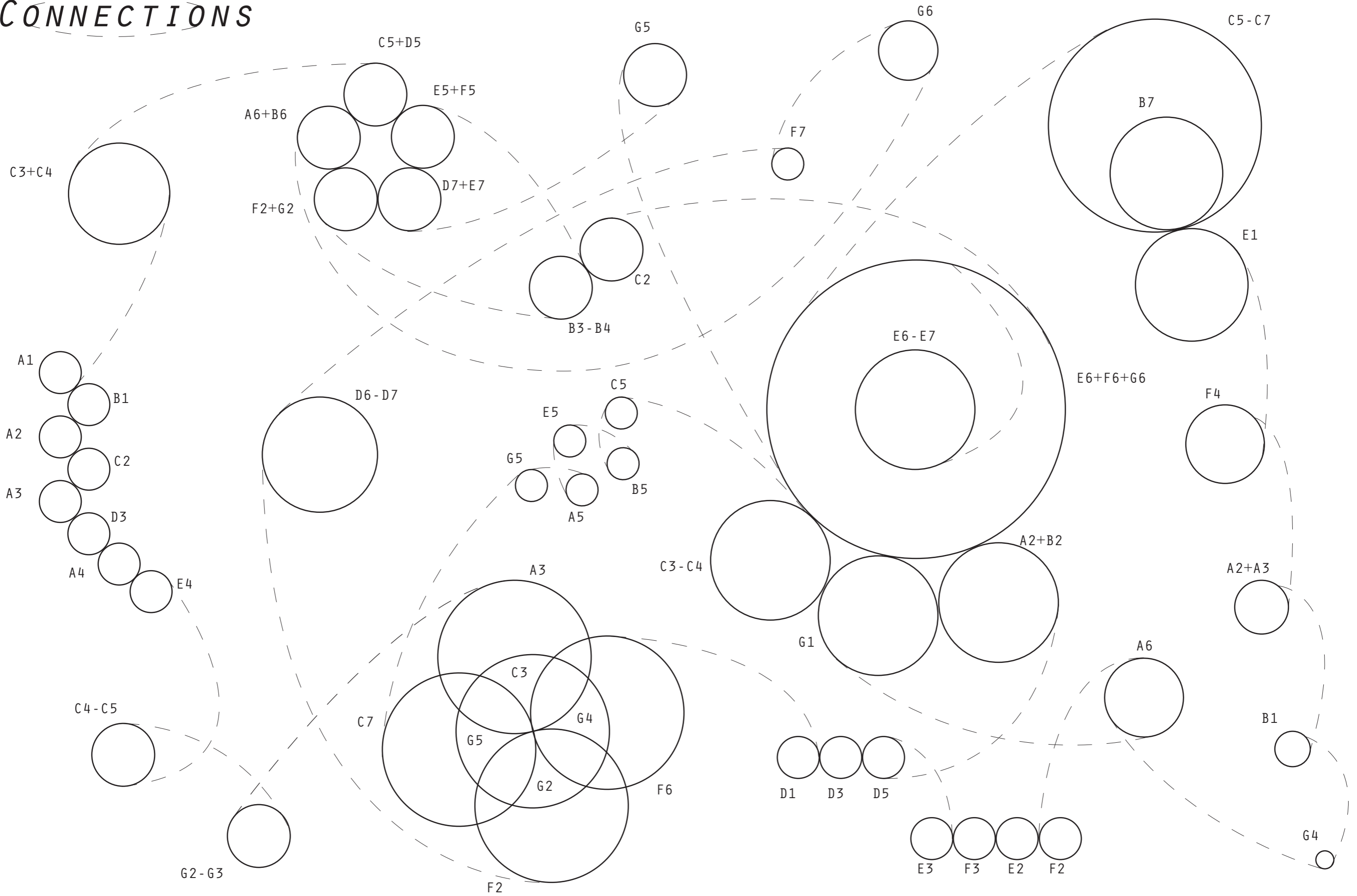
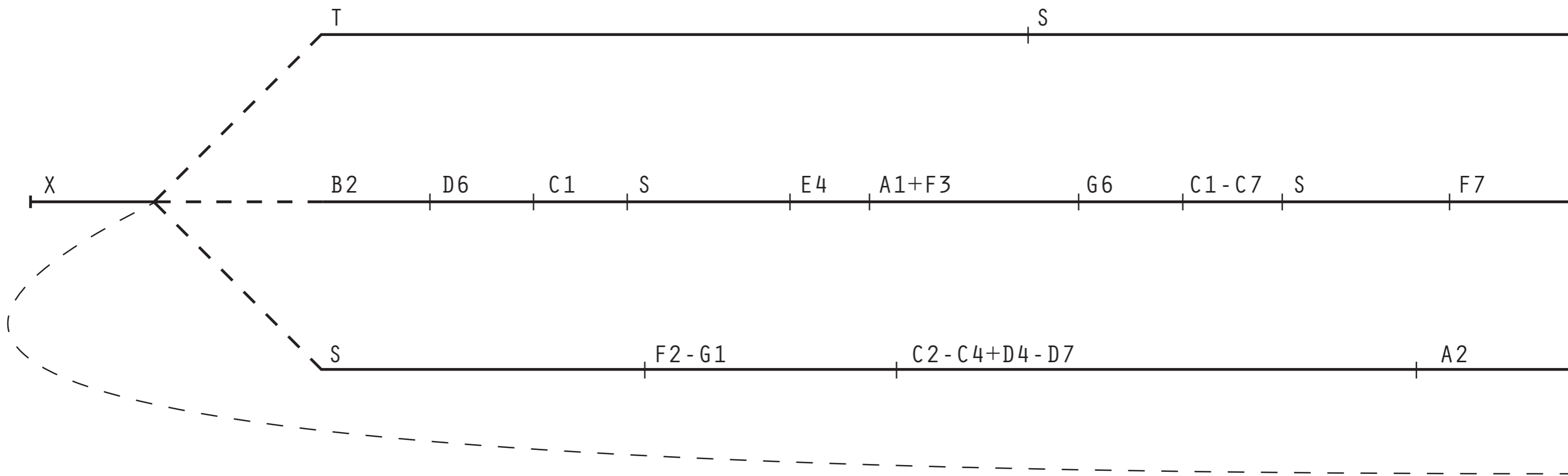


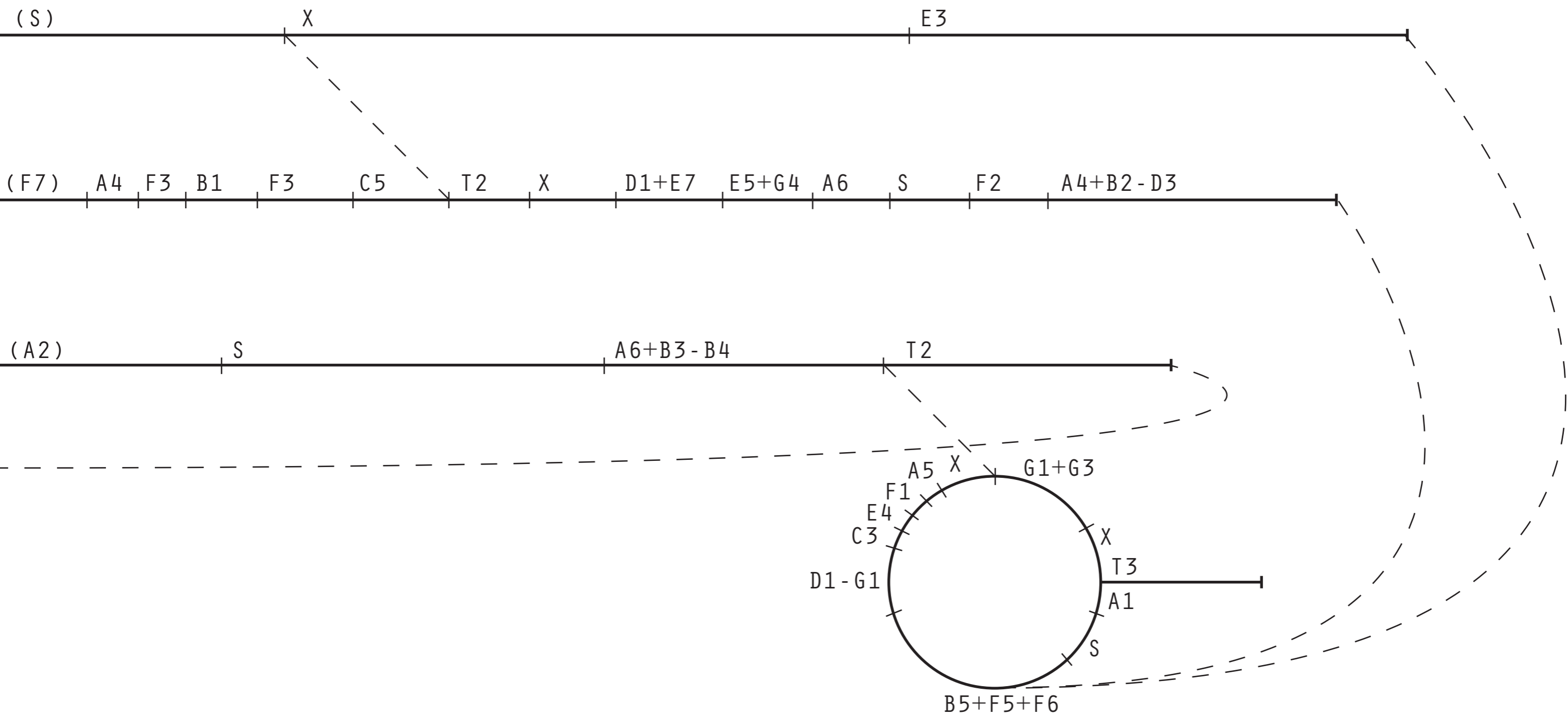
CONNECTIONS

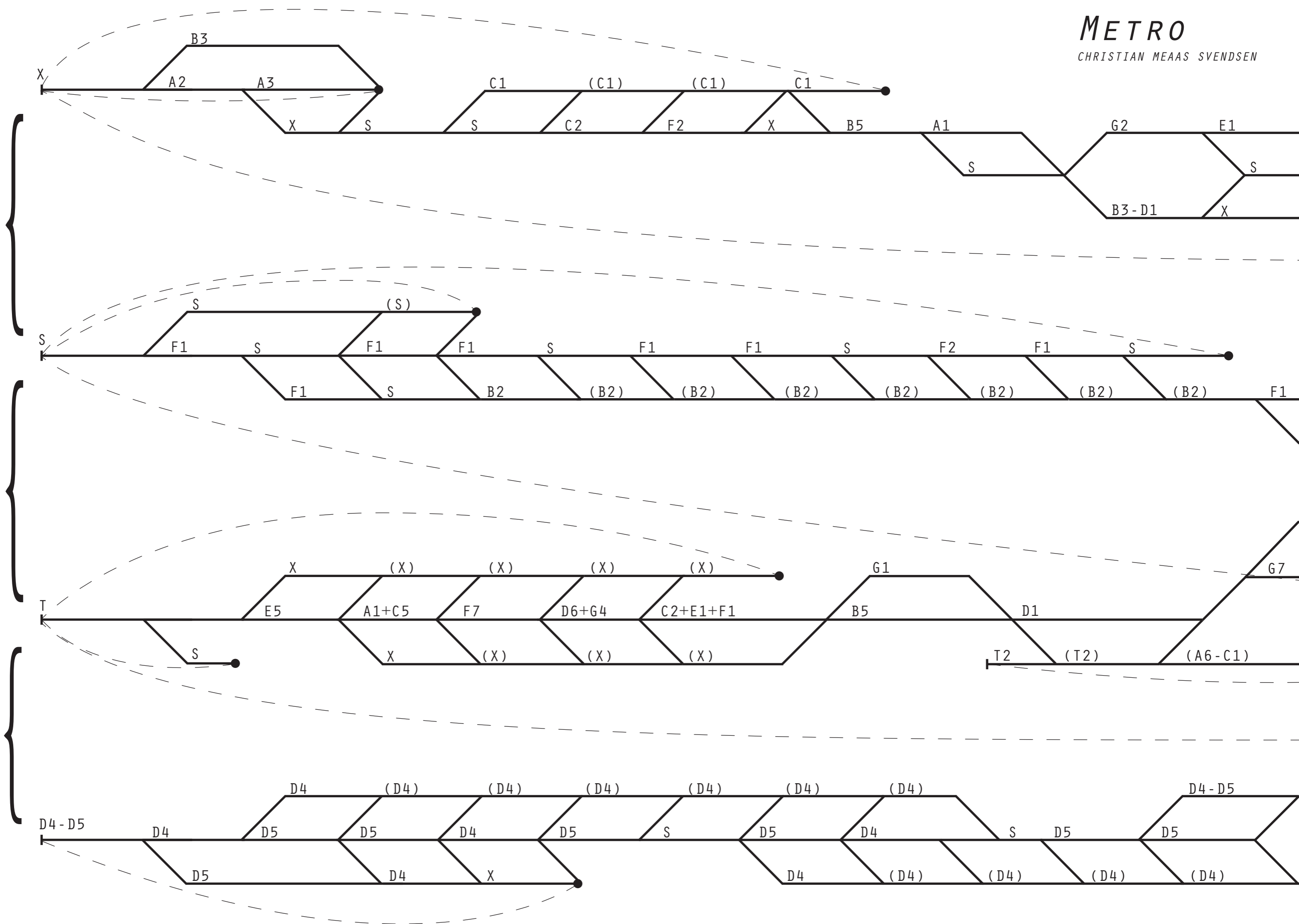


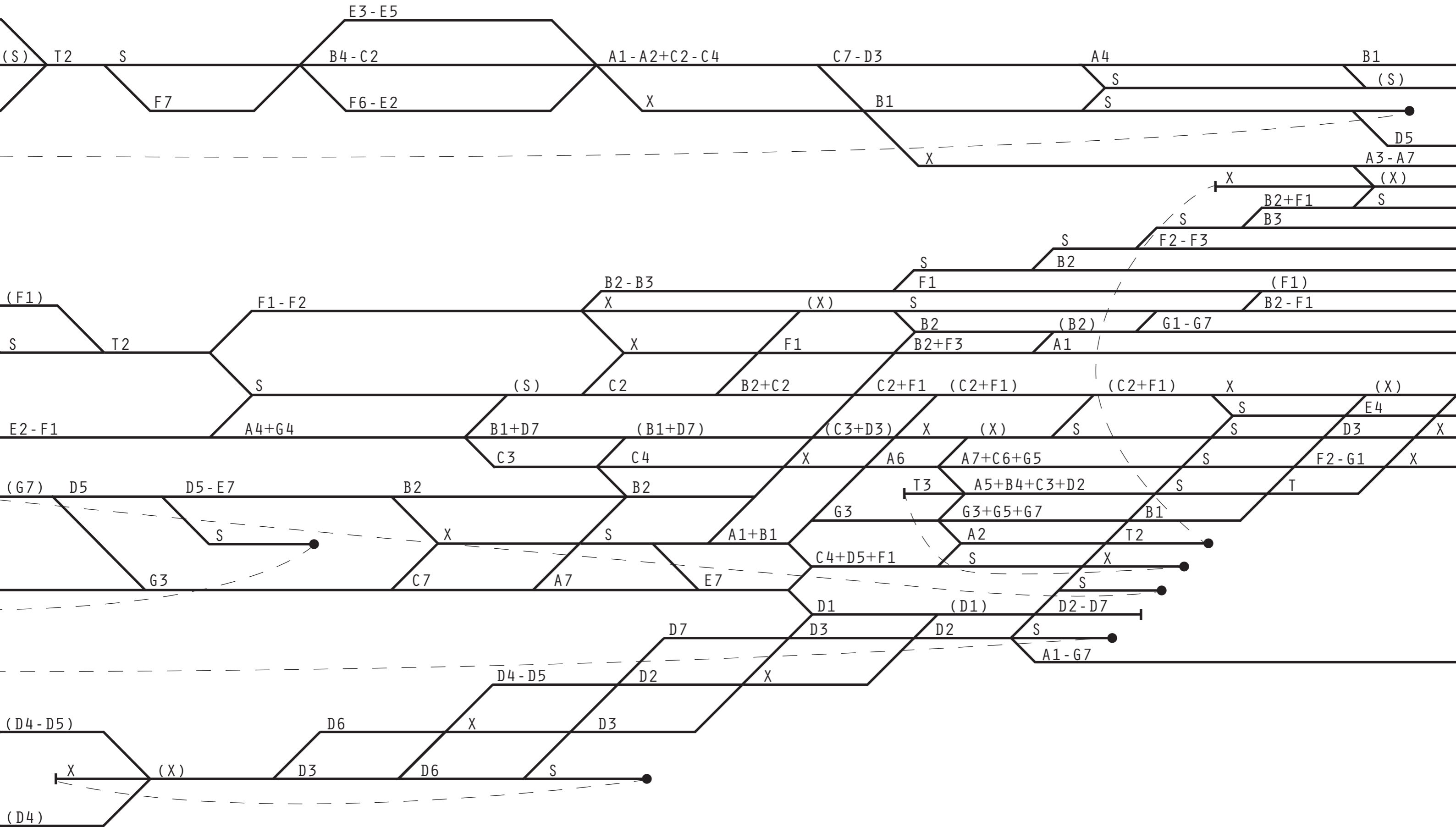
EVENTS

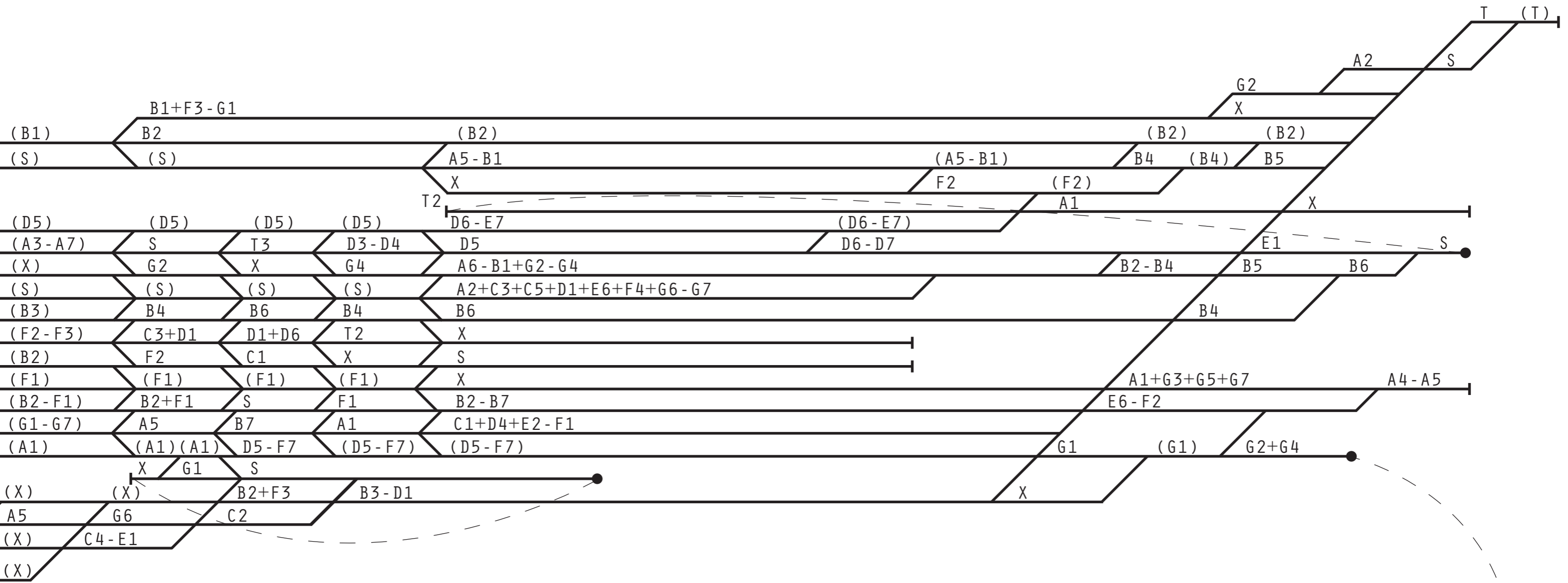
CHRISTIAN MEAAS SVENDSEN





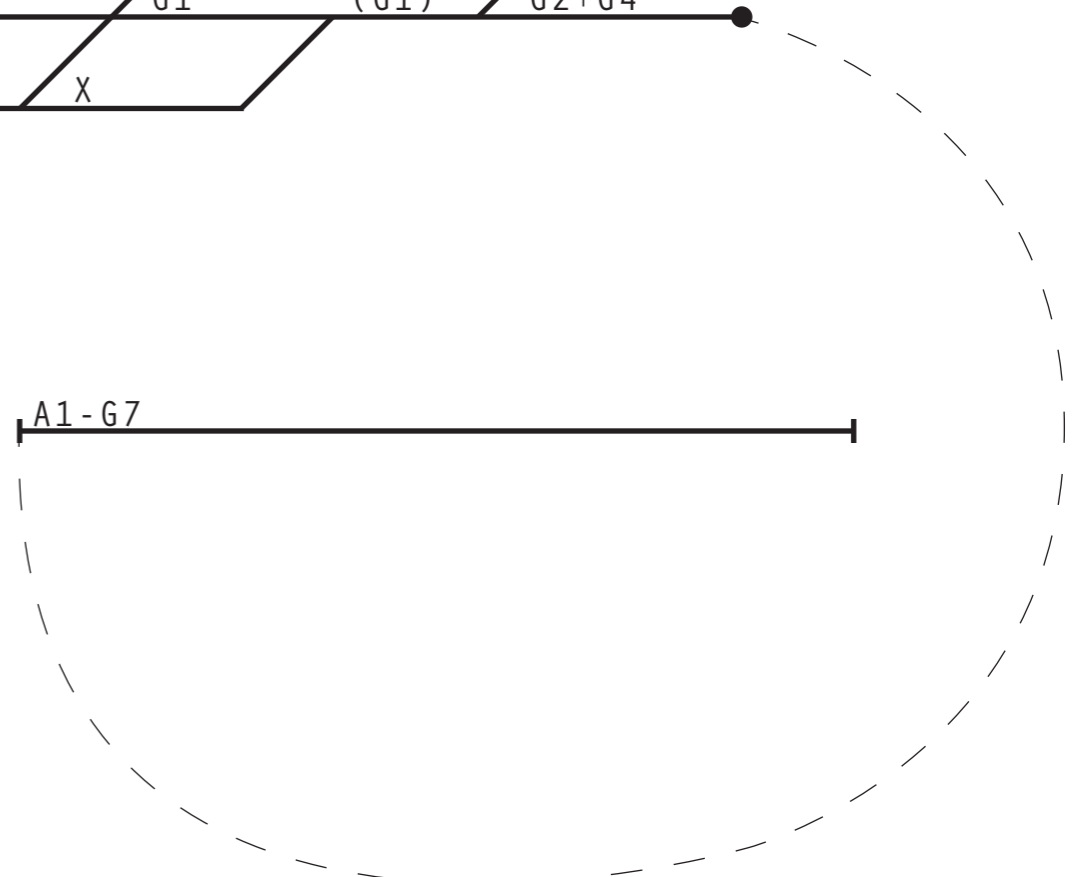






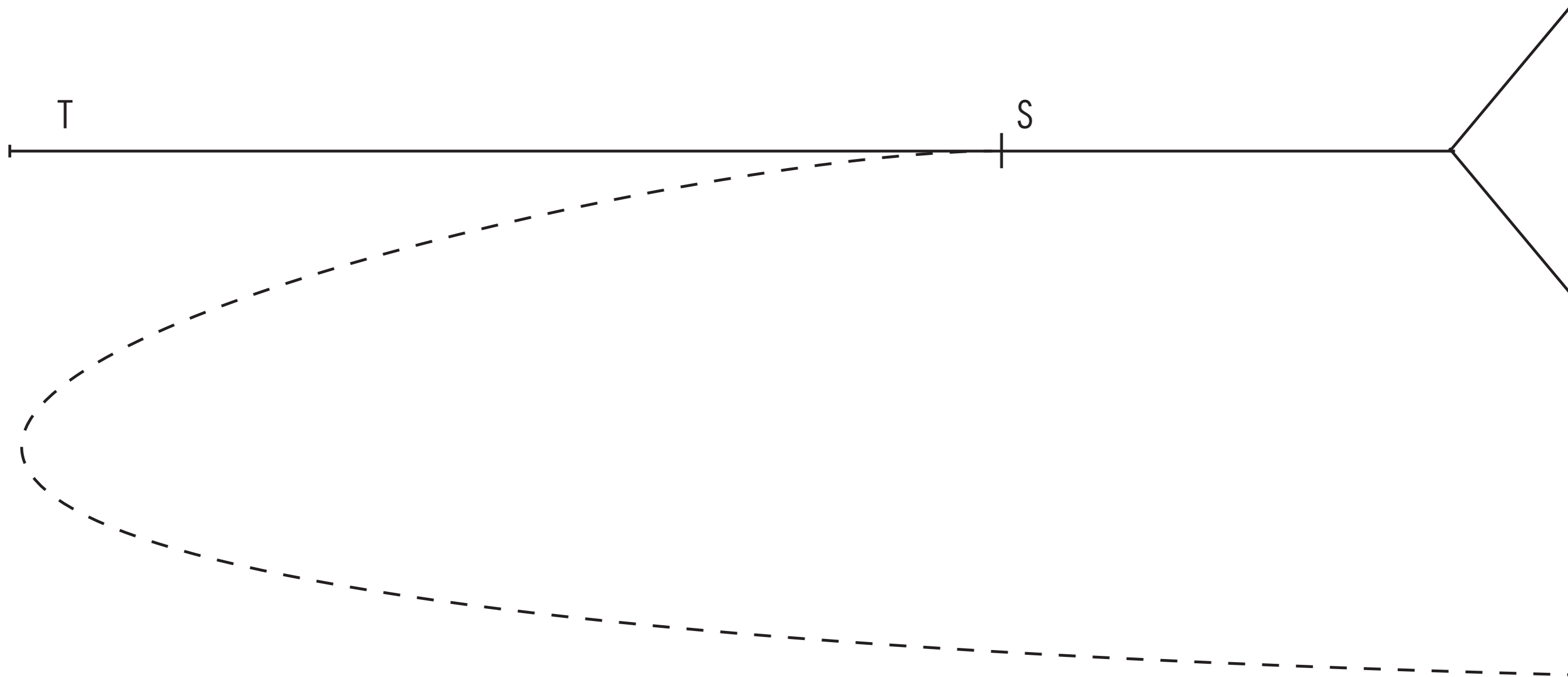
(A1-G7)

A1-G7



SPLIT & CURVE

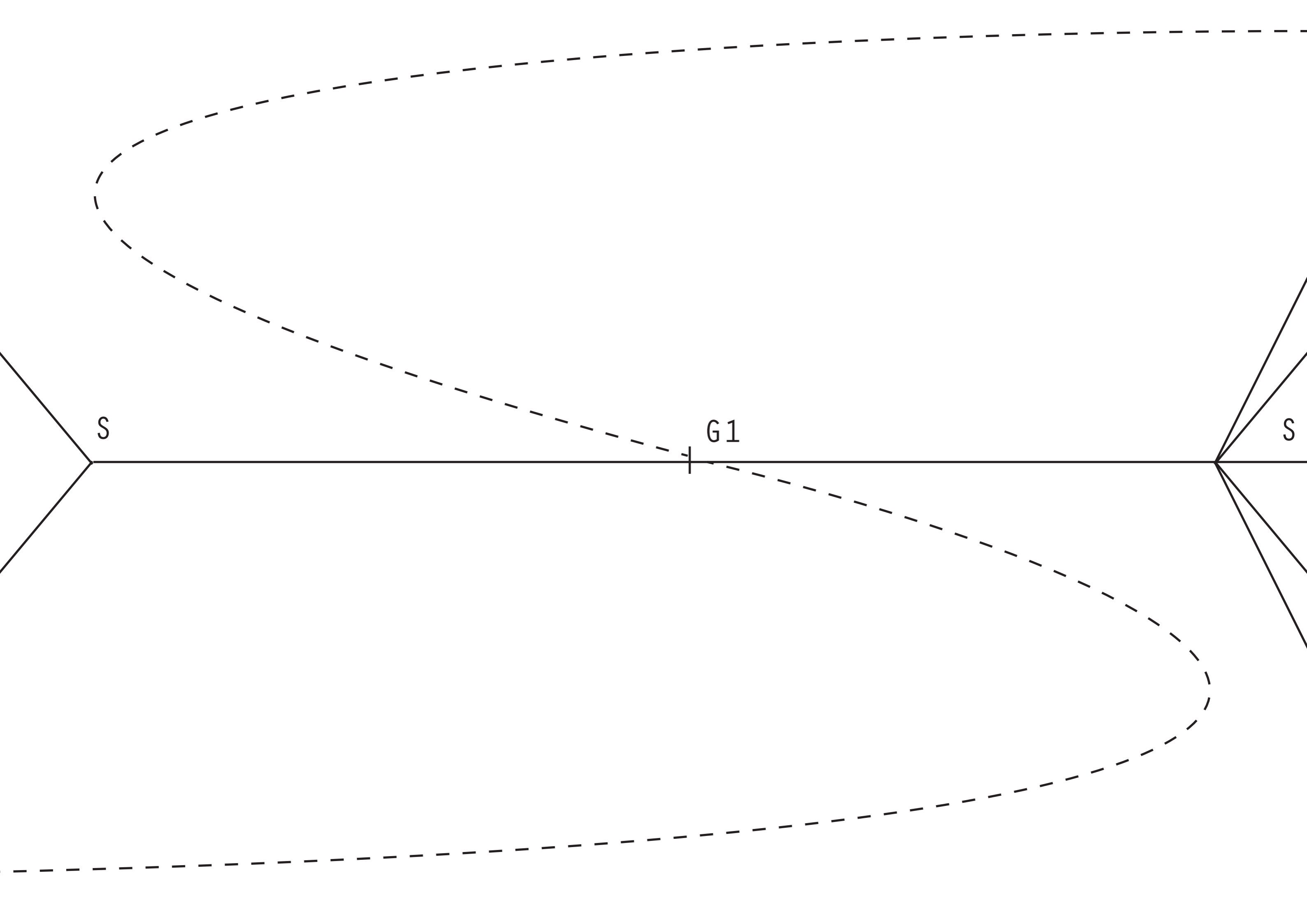
CHRISTIAN MEAAS SVENDSEN



X

$C_2 + D_3 - D_5 + E_7 - F_3$





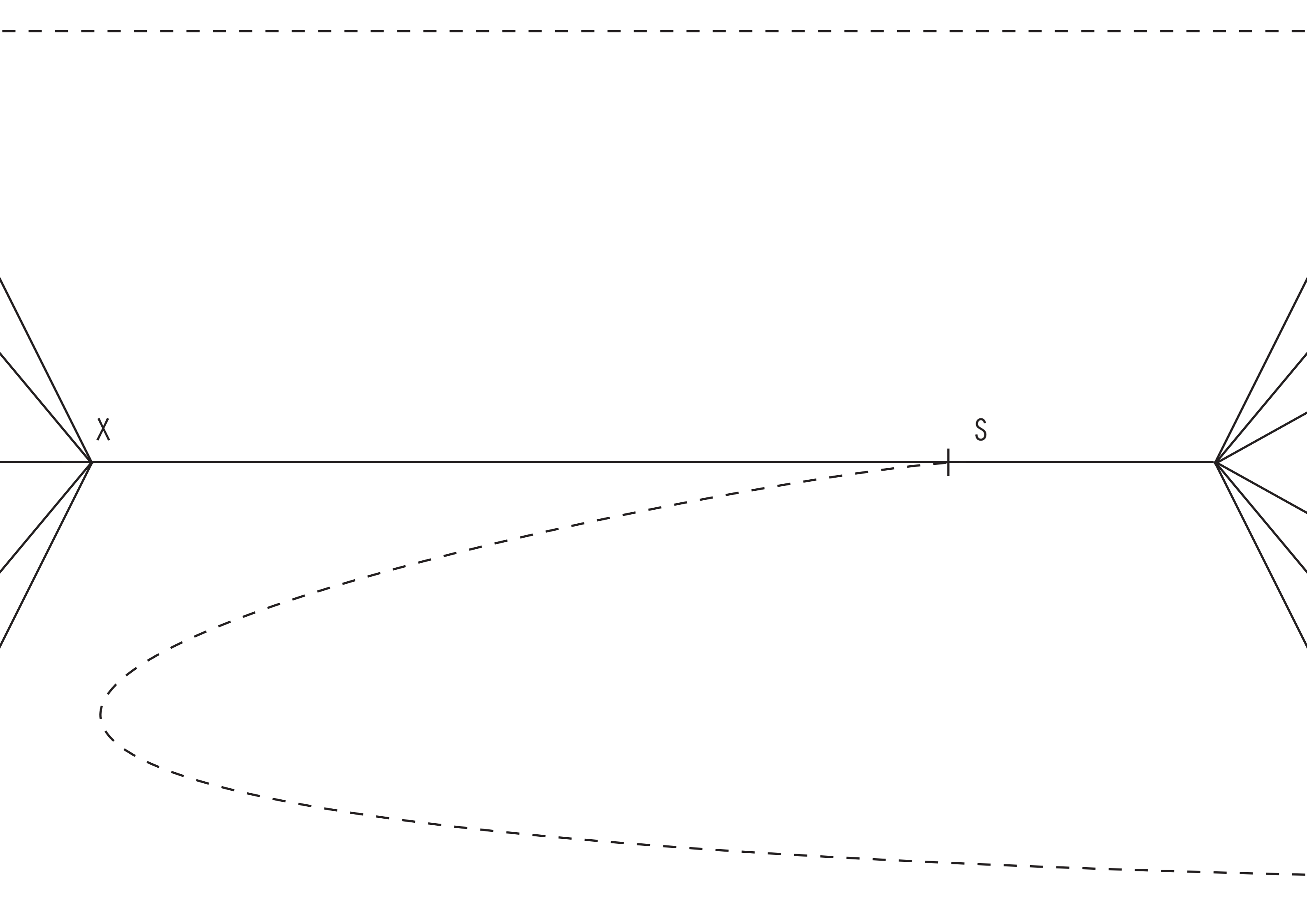
F4 - G7

A5+B5+C5

(S)

C3+D3+E3+F3+G3

A1+B1 - B4



S

$$B2 - B3 + C3 + D3$$

F7

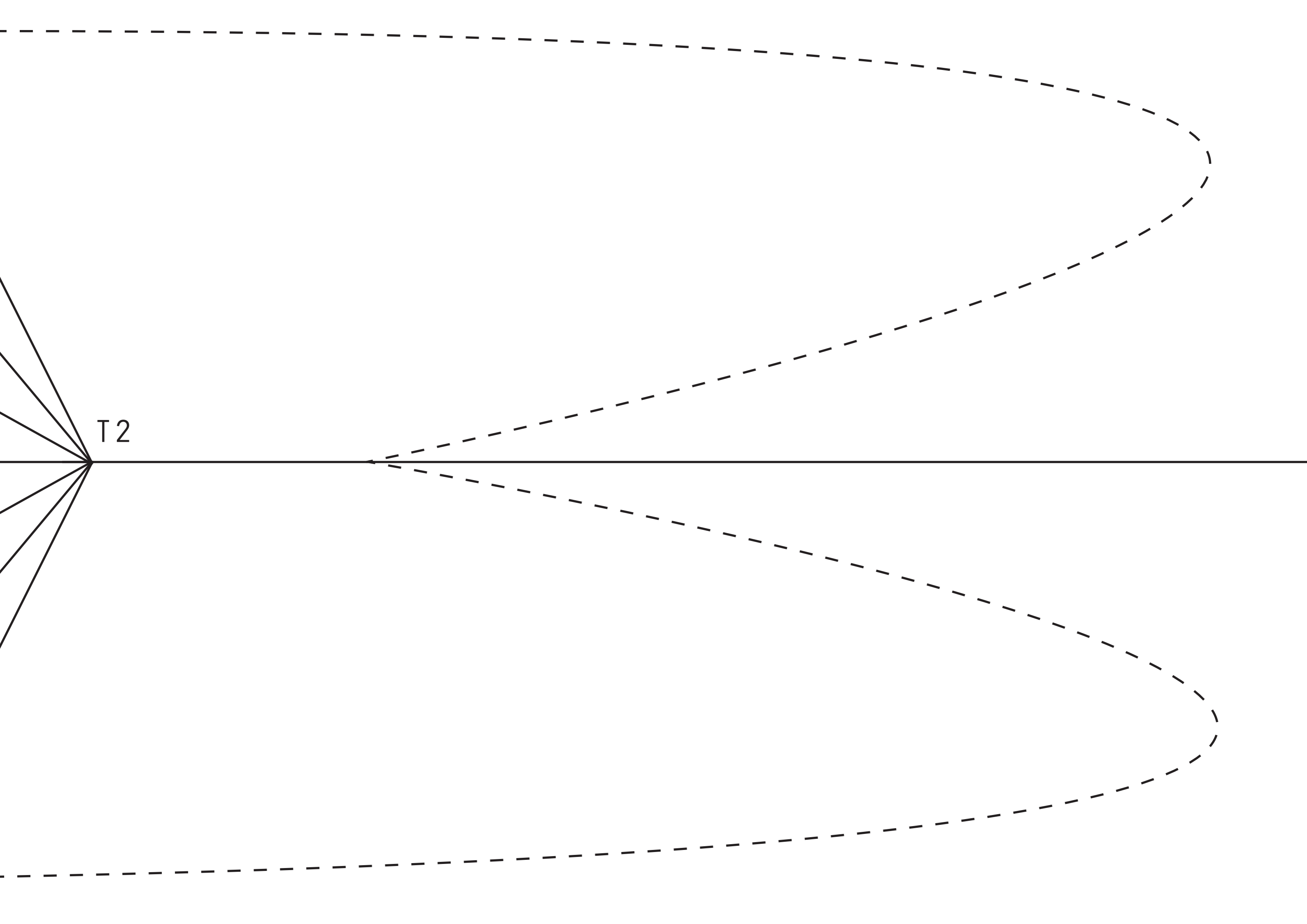
(F7)

X

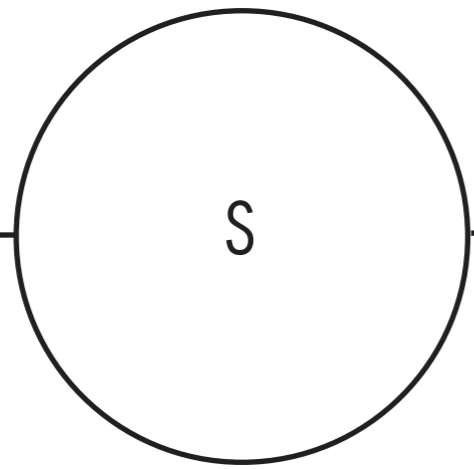
$$D3 - G7$$

$$A1 - D3$$

$$D6 - D7 + E6 - E7 + F6 - F7$$



(T2)



T



