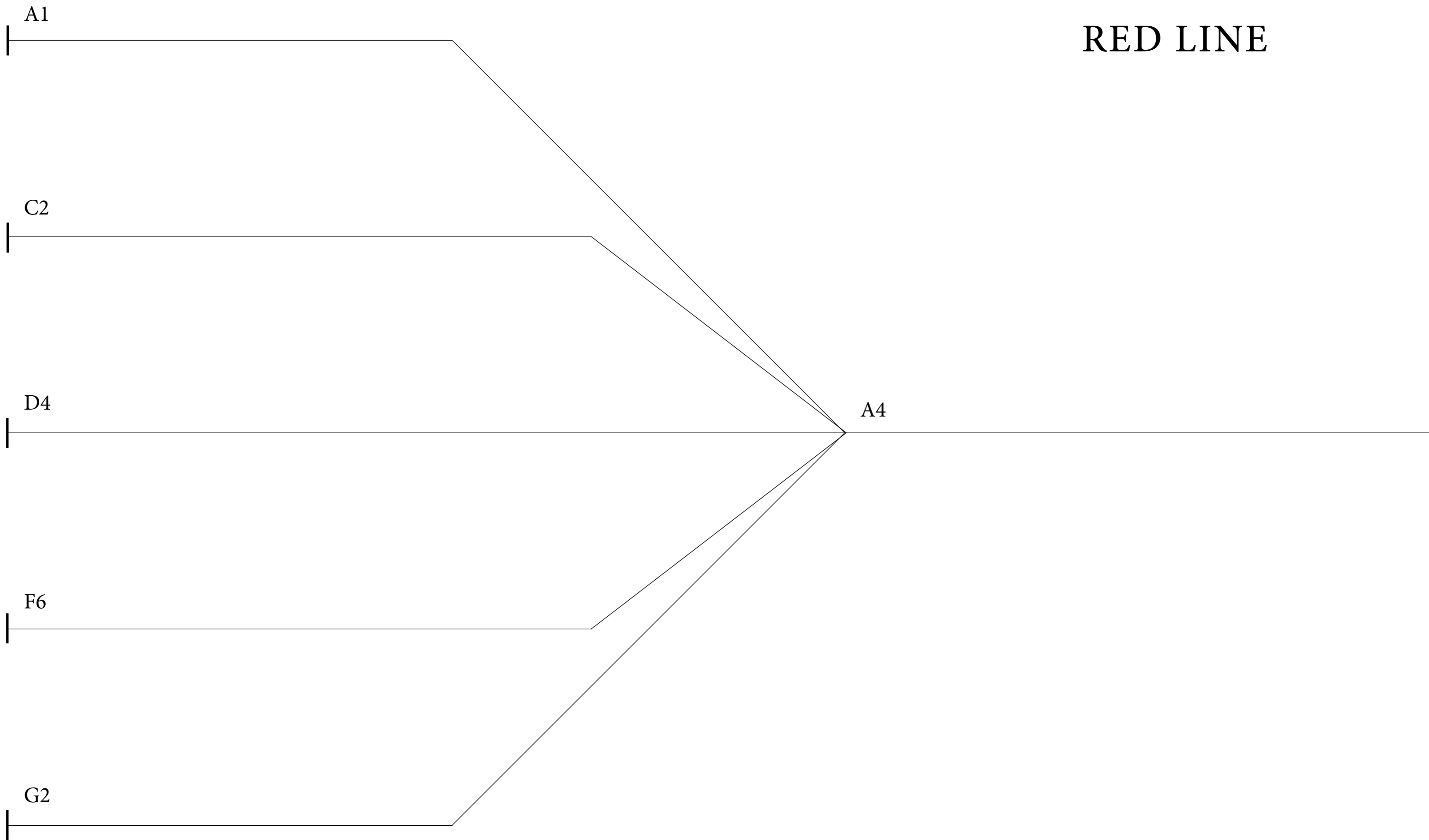
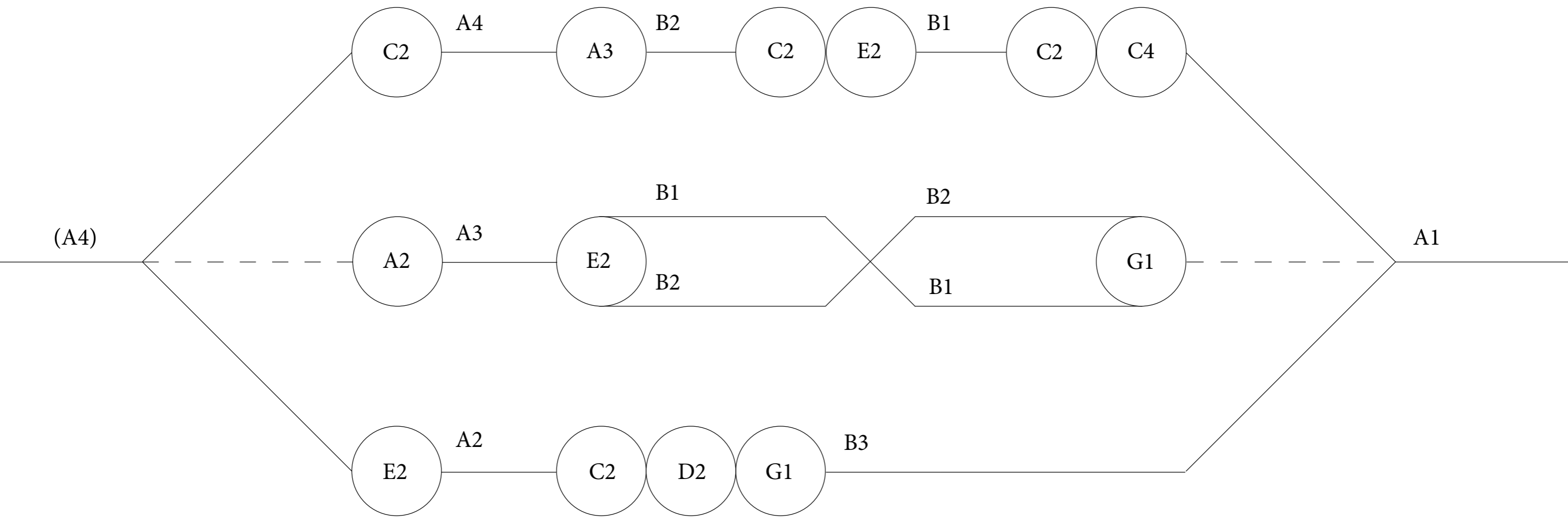
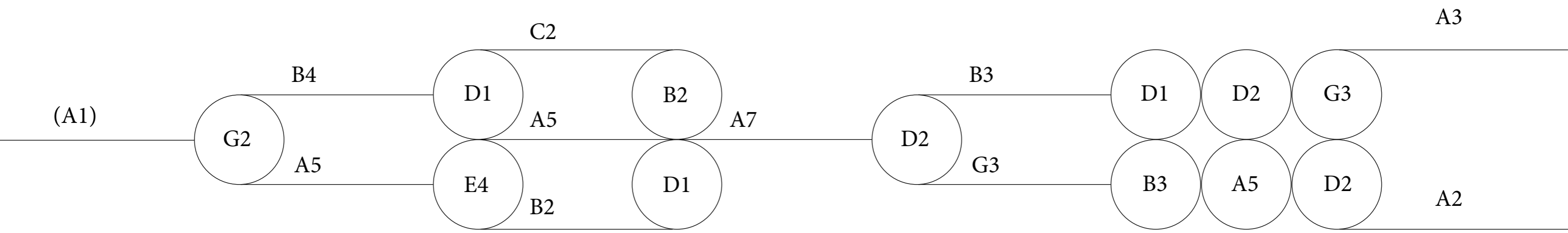
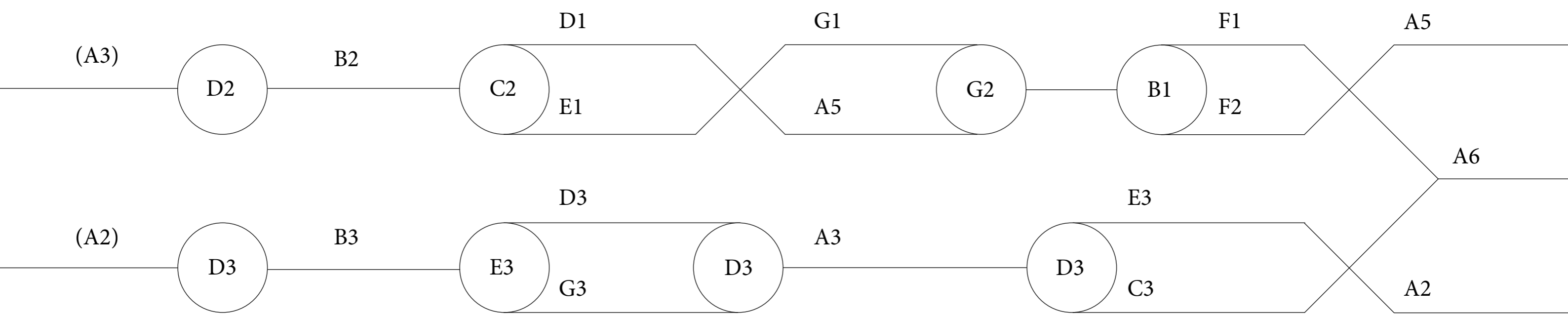


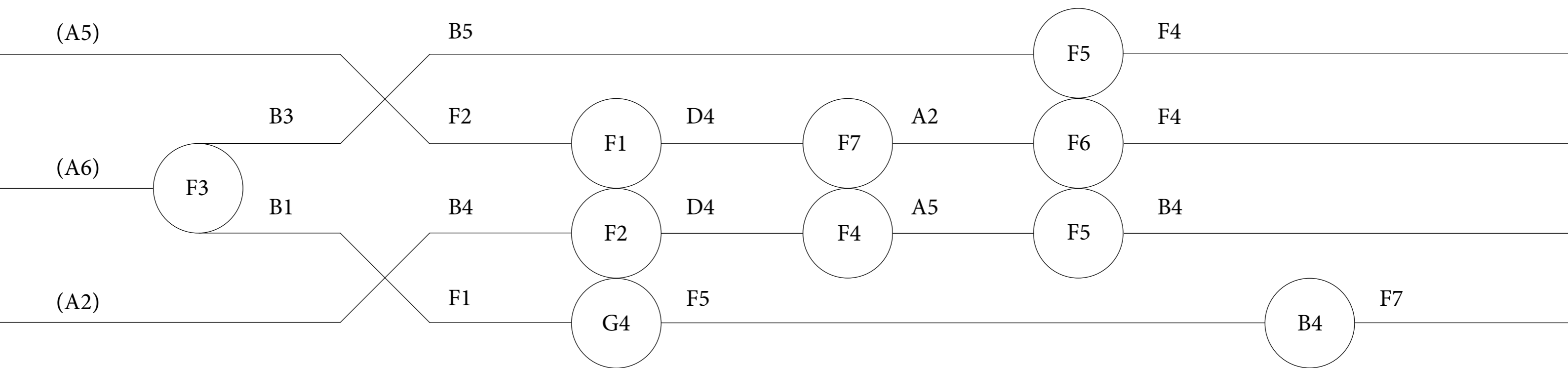
RED LINE

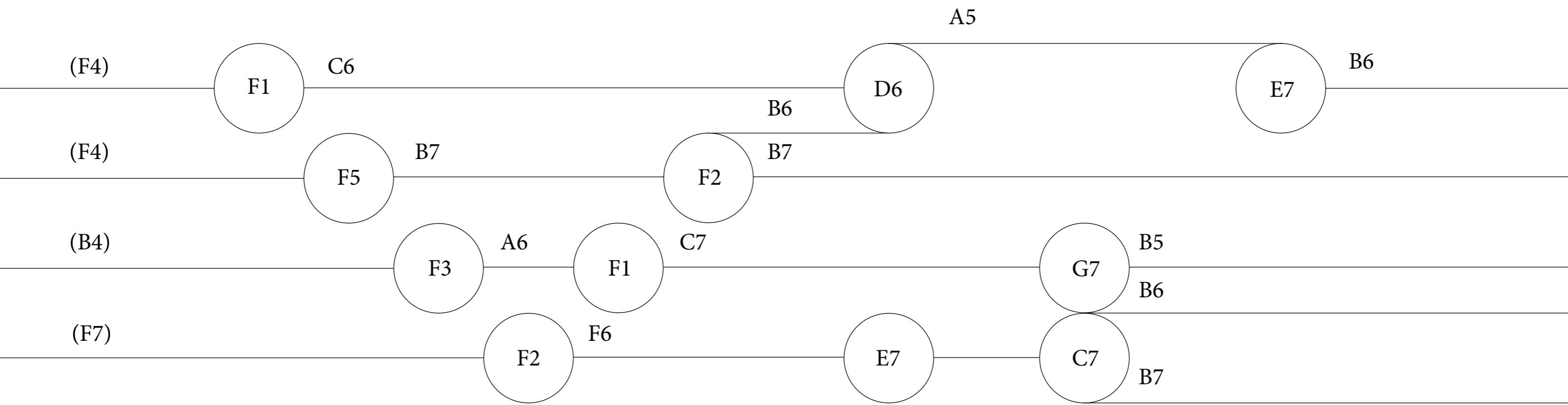


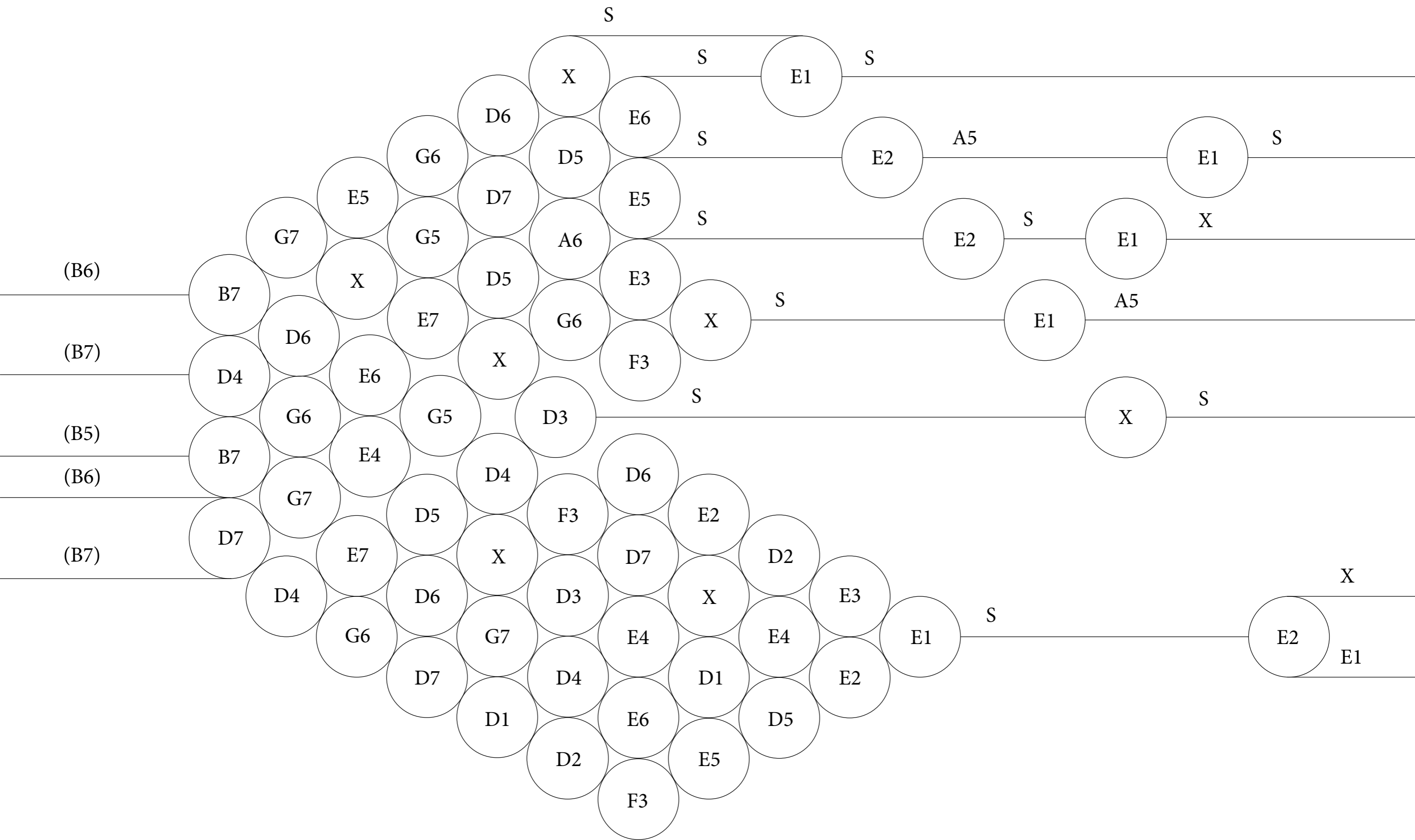


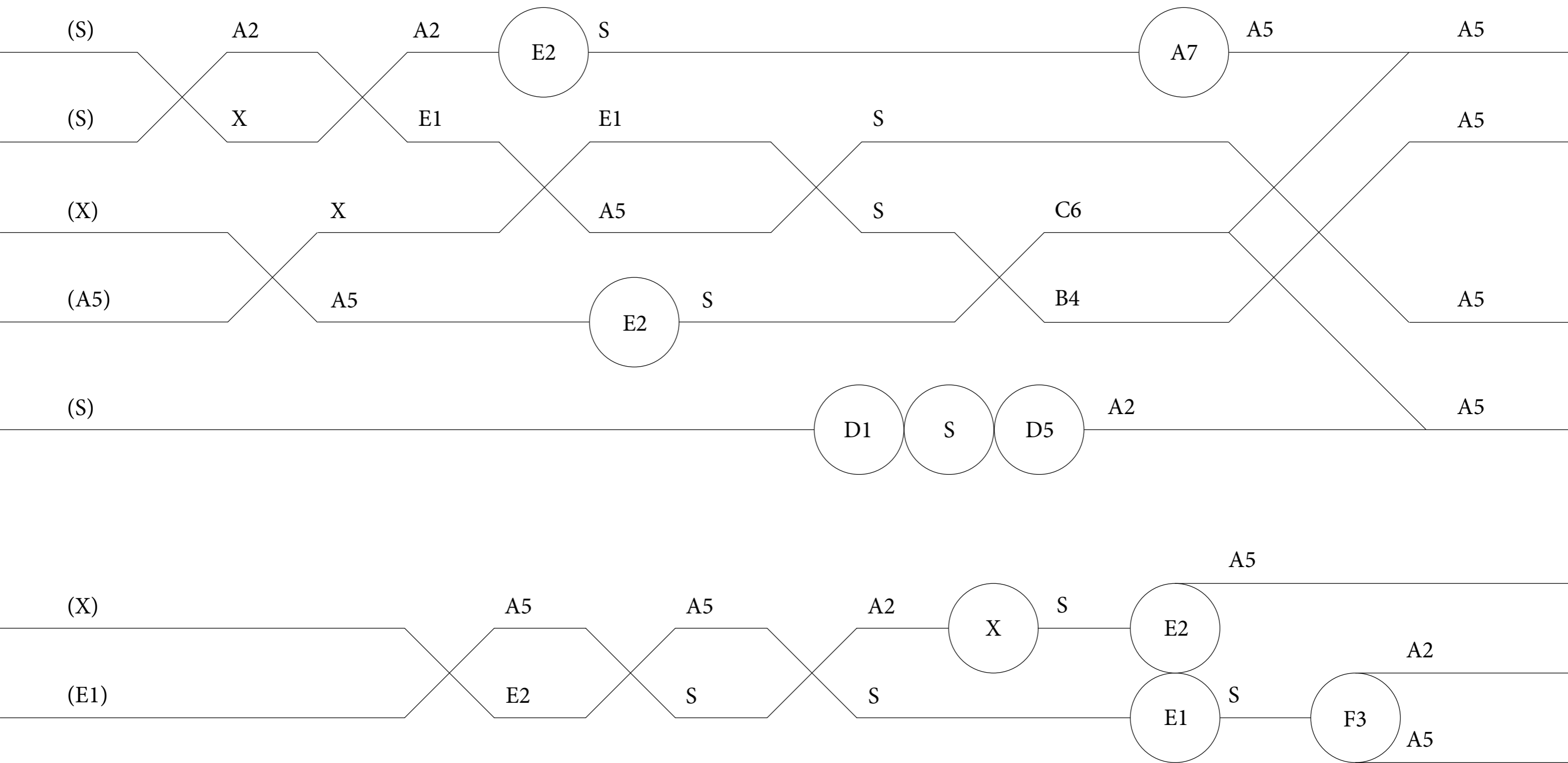


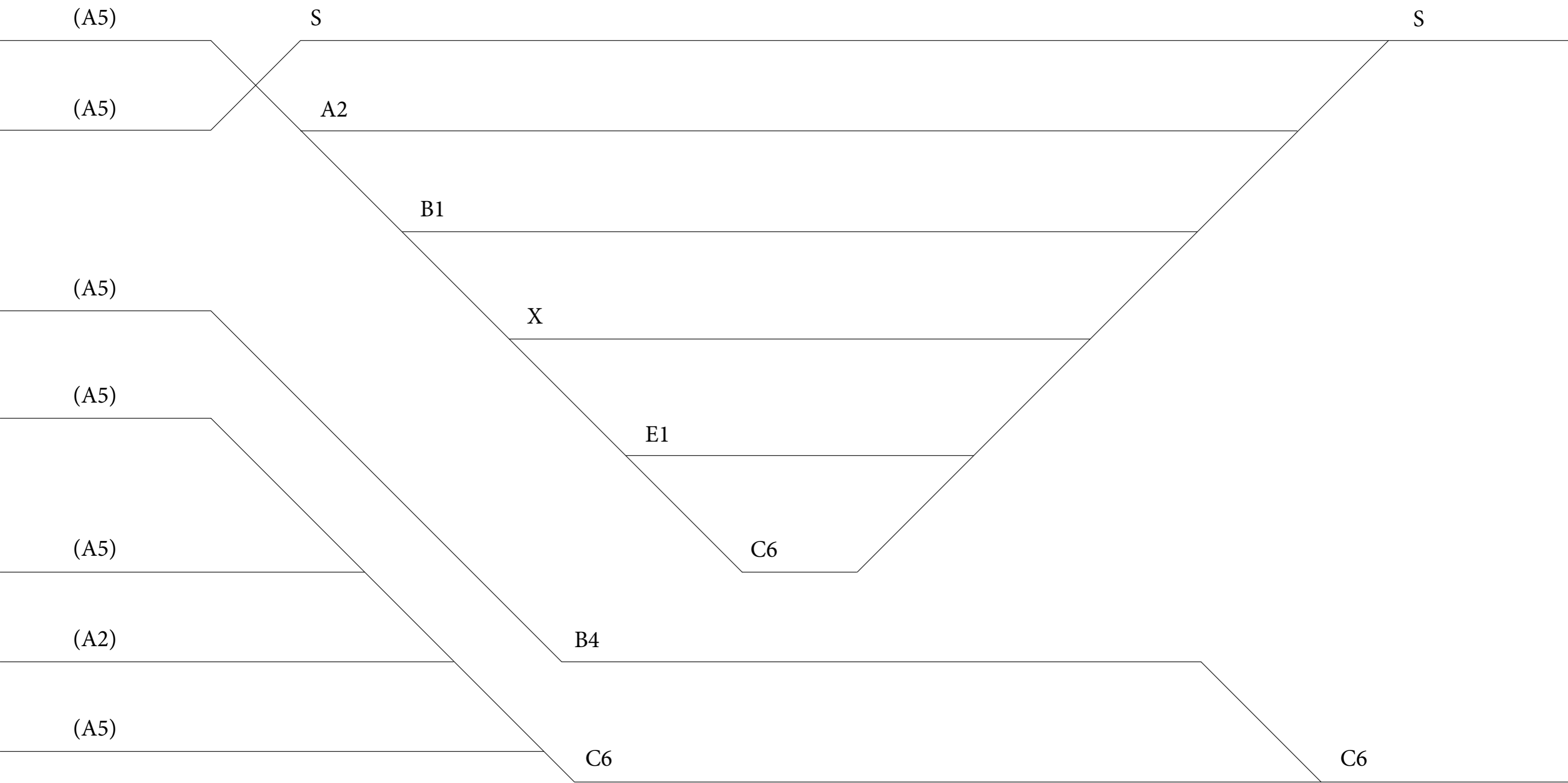


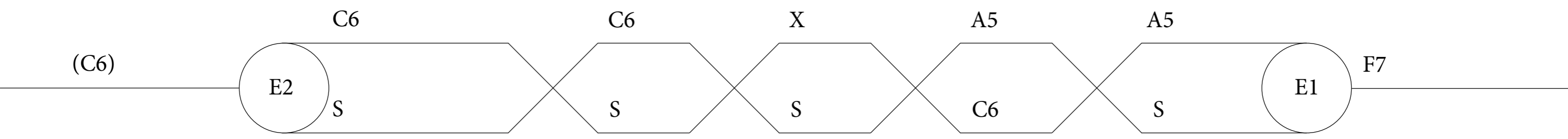
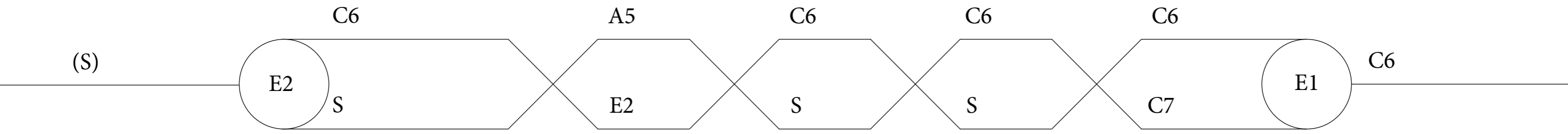


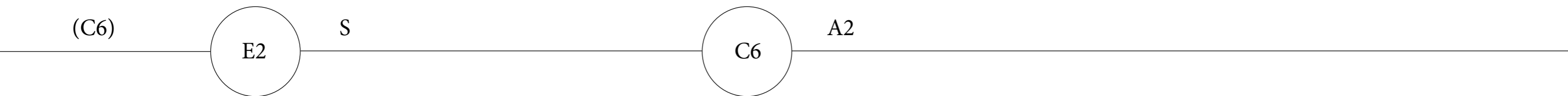




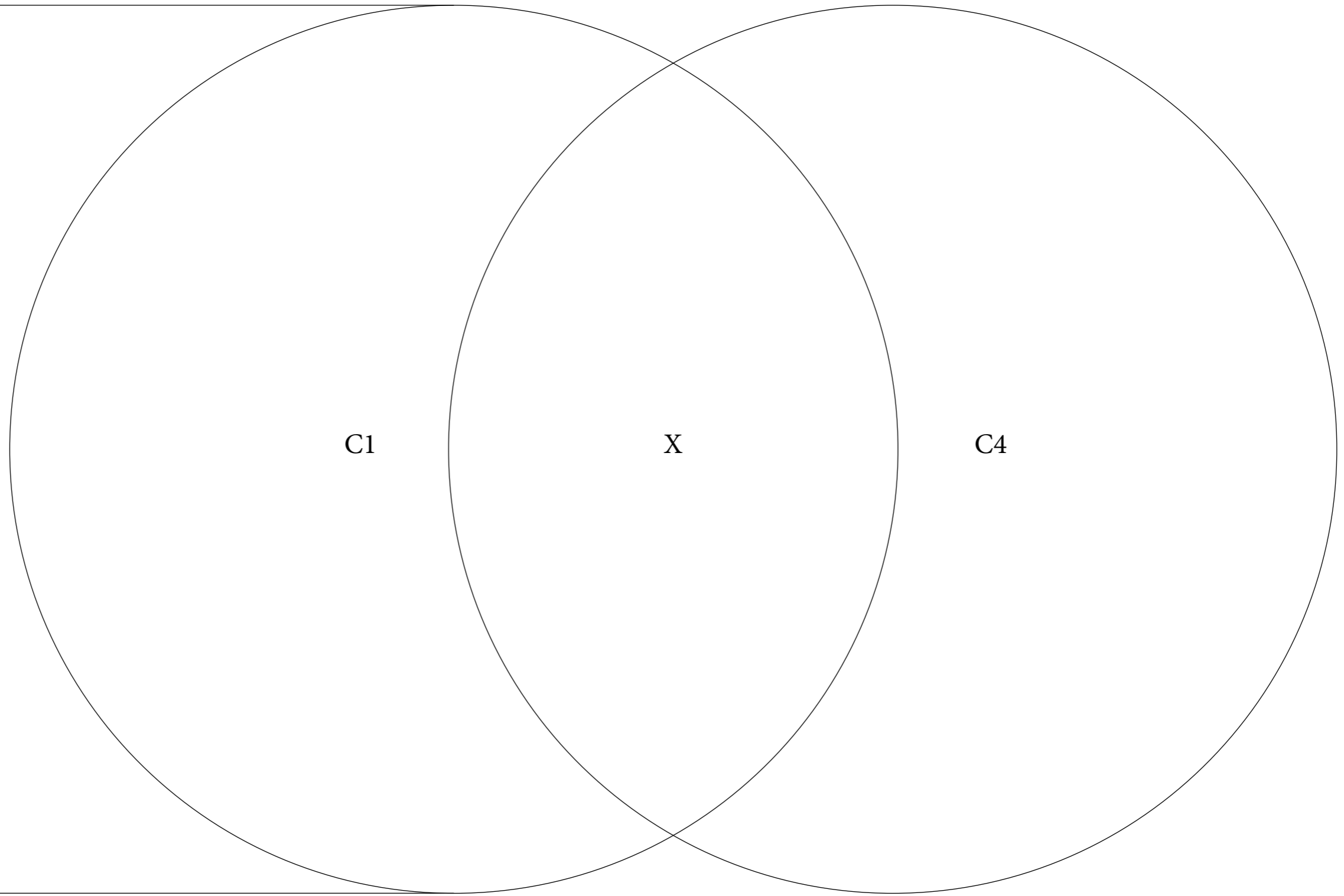








(A2)



(S)